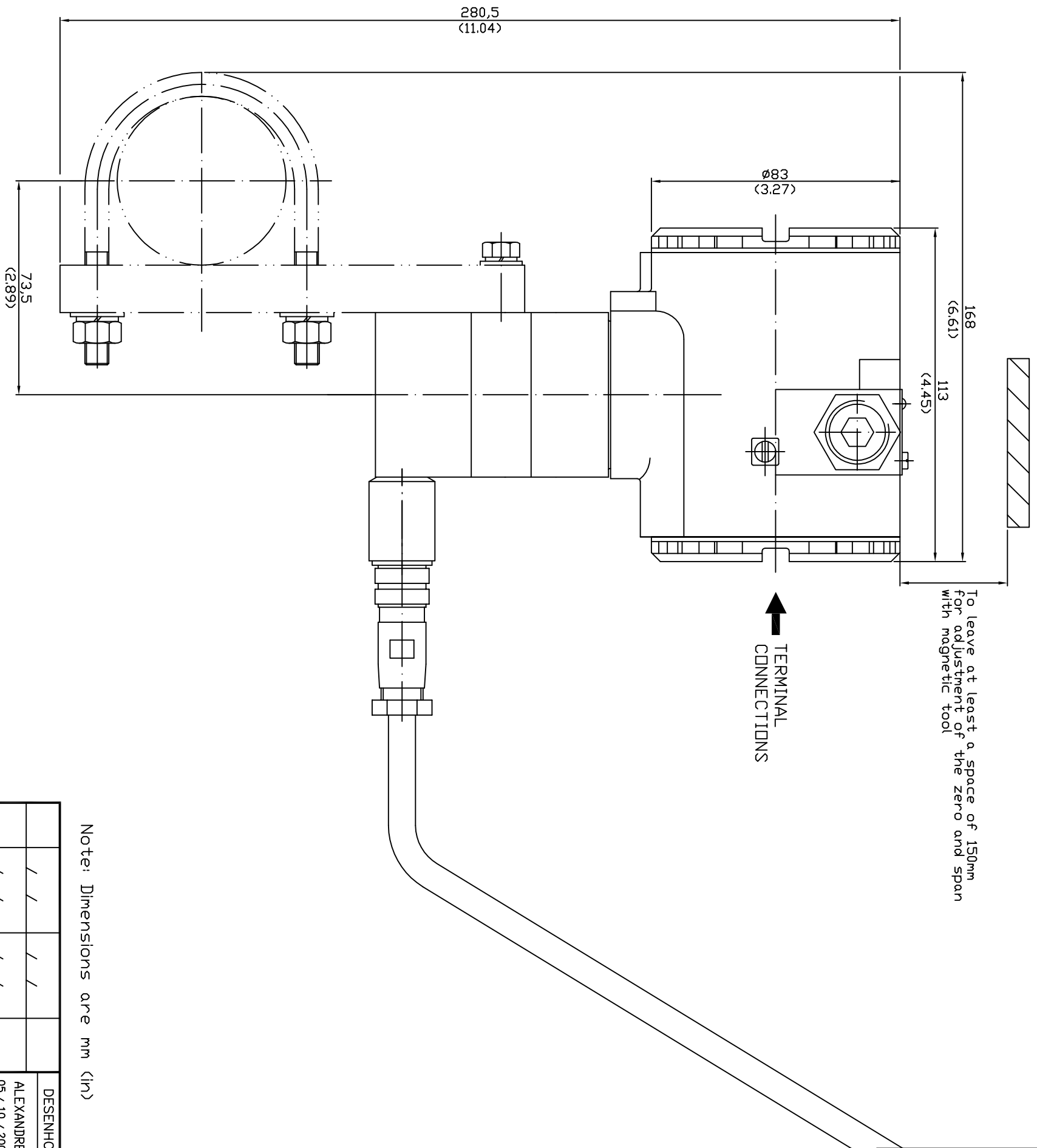


A B C D E F G H I J K L

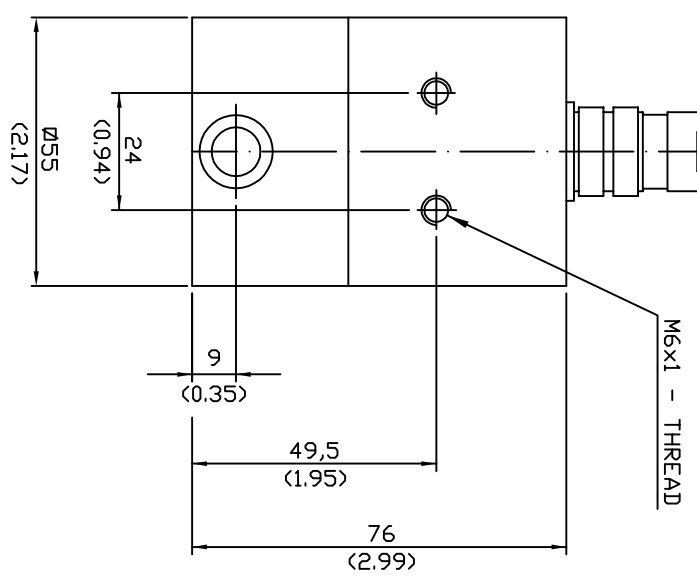
1 2 3 4 5 6 7 8 9




To leave at least a space of 150mm for adjustment of the zero and span with magnetic tool

TERMINAL CONNECTIONS

OPTION FOR CABLE
5m, 10m, 15m e 20m



Note: Dimensions are mm (in)

REV	PROJETO	APROVAÇÃO	AREA	DESENHO	PROJETO	VERIFIC.	APROVAÇÃO	
				ALEXANDRE	ALEXANDRE	TERCID	BAHIA	
				05 / 10 / 2006	05 / 10 / 2006	10 / 10 / 2006	10 / 10 / 2006	
				CIENTE	TP30X			
				EQUIPAMENTO				DESENHO N°
				DIMENSIONAL DRAWING FOR INTERNET				101-B-5510-00
				REMOITE POSITION TRANSMITTER TP30X				ESC 1:1,5 FL /